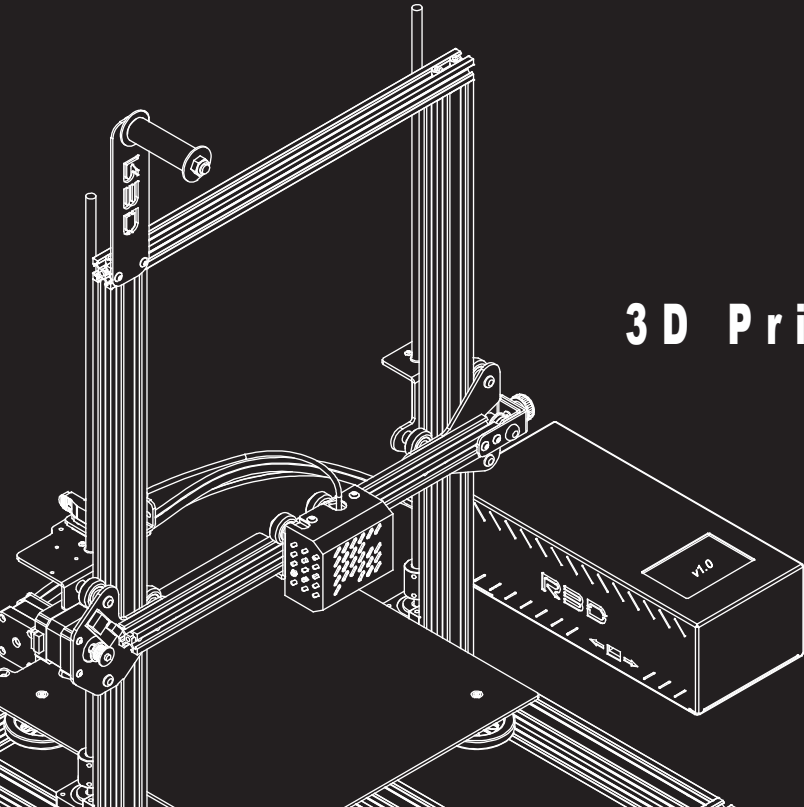


**Createbot**

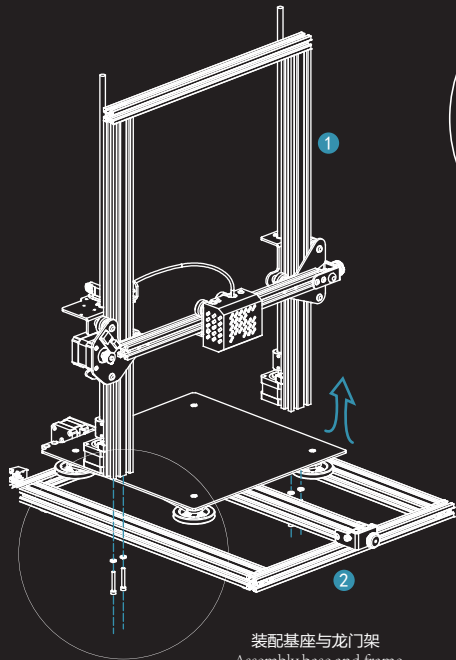
**S3** 组装说明书

**3D Printer User Manual**

Make creation easier



# Step One



名称   Item	
1	龙门架   Frame
2	底座   Base
3	M5*30 X 4
4	M5弹垫   M5 Spring Washer

## 操作说明 | Operating Instructions



内六角扳手 | Inner Hexagon Spanner

用M5内六角扳手将底部4颗M5螺钉依次锁紧  
Lock four M5 screws at the bottom in turn with M5 Allen key

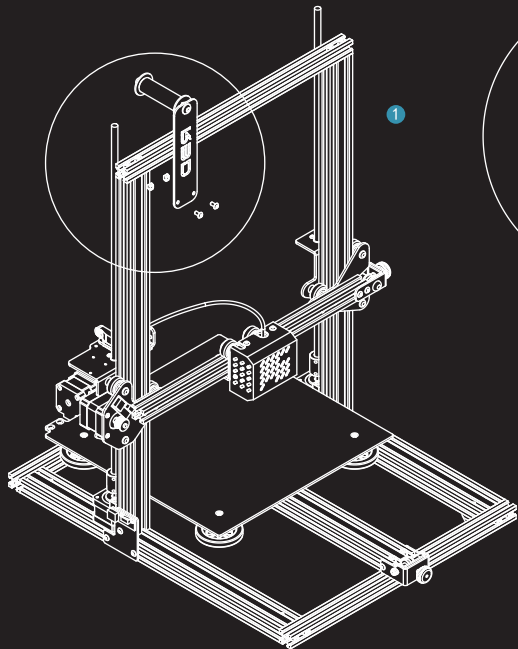
或 OR



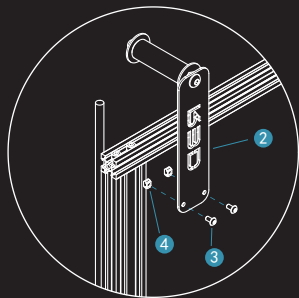
电动螺丝刀 | Electric Screwdriver

用电动螺丝刀将底部4颗M5螺钉依次锁紧  
Use an electric screwdriver to lock the bottom four M5 screws in turn

# Step Two



安装送料支架  
Installation of feeding bracket



	名称	Item
①	龙门架	Frame
②	送料架	Feeding Frame
③	M4*8 X 2	
④	M4T型螺母	M4 T-Nut

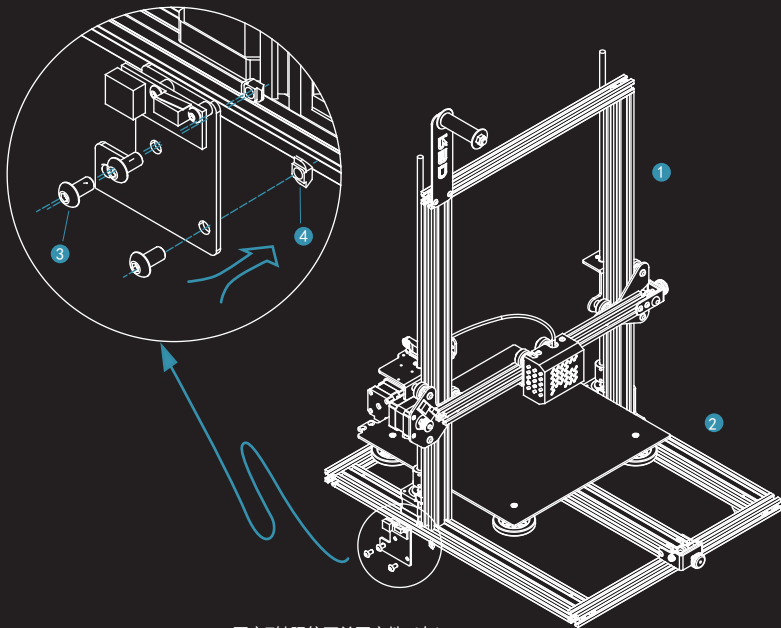
## 操作说明 | Operating Instructions



内六角扳手 | Inner Hexagon Spanner

用M4内六角扳手依次将2颗T型螺母通过螺钉固定在型材上  
Fix two T-nuts on the profile with M4 Allen key in turn

# Step Three



固定Z轴限位开关固定件 (左)  
Fixed Z-axis limit switch retainer (left)

名称	Item
1	龙门架   Frame
2	底座   Base
3	M5*8 X 3
4	M5T型螺母   M5 T-Nut

## 操作说明 | Operating Instructions

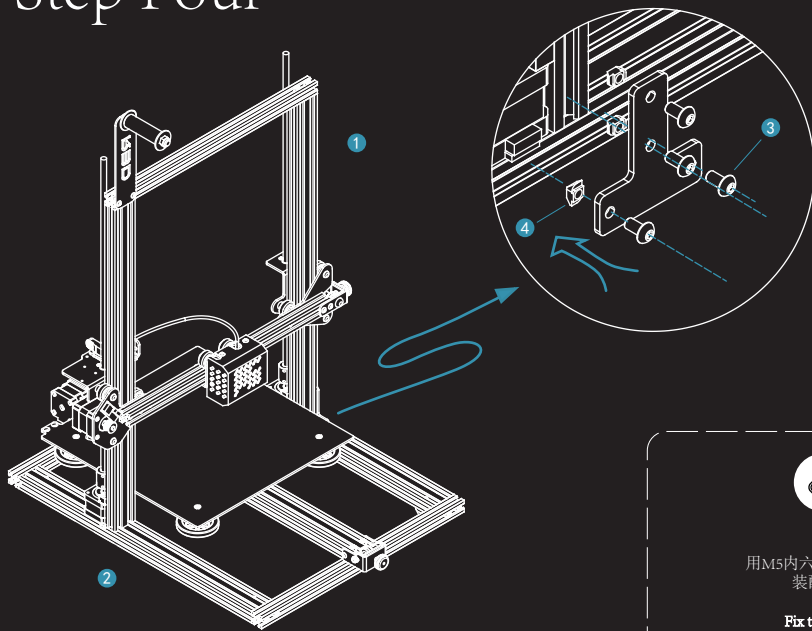


内六角扳手 | Inner Hexagon Spanner

调节好限位开关与Z轴滑板的合理高度用  
M5内六角扳手依次将3颗T型螺母通过螺钉固定在型材上

Adjust the limit switch and z-axis slide plate to the reasonable height.  
Fix three T-nuts on the profile with M5 Allen key.

# Step Four



固定T型加强筋 (右)

Fixed T-shaped reinforcement (right)

名称   Item	
①	龙门架   Frame
②	底座   Base
③	M5*8 X 4
④	M5T型螺母   M5 T-Nut

## 操作说明 | Operating Instructions

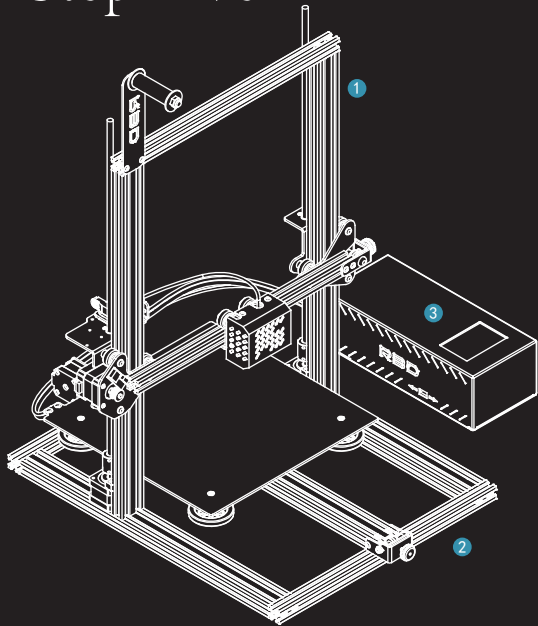


内六角扳手 | Inner Hexagon Spanner

用M5内六角扳手依次将2颗T型螺母通过螺钉固定在型材上。  
装配过程中，T型螺母会自动定位，自动锁紧。

Fix two T-nuts on the profile with M4 Allen key in turn.  
During assembly, the T-nut will be positioned and locked automatically.

# Step Five



安装电源及接线(打开视频)

Installation of power supply and wiring (open video)

名称   Item	
①	龙门架   Frame
②	底座   Base
③	主控电源箱   Main control power box

操作说明 | Operating Instructions

此步骤为连接电源及相关部件接线操作，  
请打开储存卡或U盘内的视频教程资料进行操作。  
您也可以在下方超链接或者扫描二维码直接获取相关的操作视频。  
如需其他帮助，您可以在末尾页找到我们的联系方式。

This step is to connect the power supply and related parts wiring operation,  
please open the video tutorial information in the memory card or USB flash drive to operate.  
You can also get the related operation video directly from the hyperlink below or scan the QR code.  
Finally, you can find our contact information at the end of the page in case you need additional help.



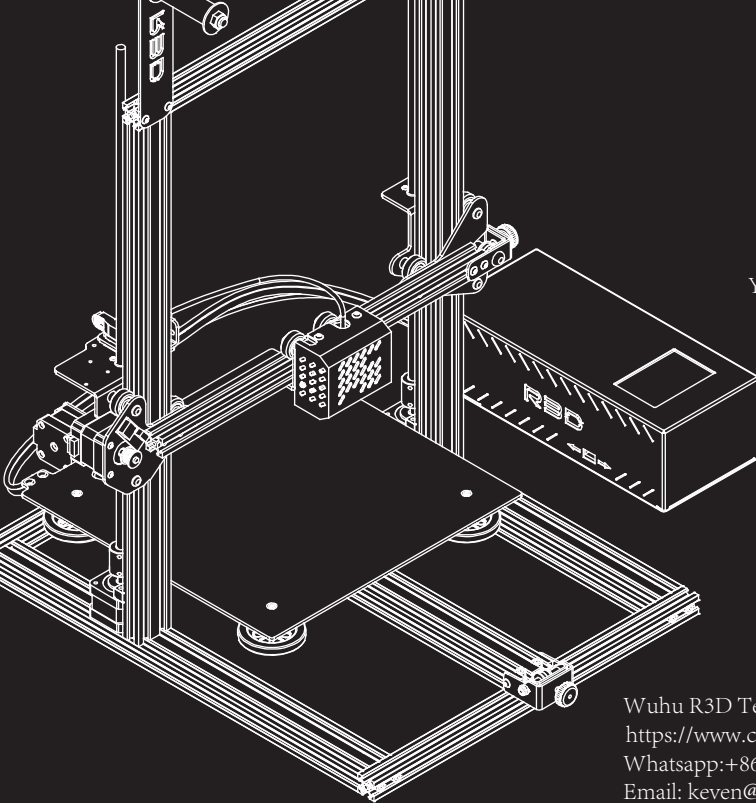
接线视频 | Wiring guide video



组装视频 | Assembly guide video

Youtube URL : <https://youtu.be/NmBNpzl8f0M>

Bilibili URL : <https://www.bilibili.com/video/BV1iB4y1T7fA/>



# Congratulations !

You have completed the assembly, then enjoy the fun it brings you!

## **Createbot**

Make creation easier

Wuhu R3D Technology Co., Ltd.

<https://www.createbot.net>

Whatsapp:+8618067195818

Email: [keven@r3dprinter.com](mailto:keven@r3dprinter.com)

Add: Factory-Fanchang Economic Development Zone,Wuhu City,Anhui Province